



21 TRV Blower Installation Instructions

99000160



INSTALL THE ACCENT LIGHT BEFORE THE BLOWER (IF APPLICABLE)

If installing the accent light, install it first, leaving the control cover loose for blower rheostat installation.



THE BLOWER IS MUCH EASIER TO INSTALL PRIOR TO FIREPLACE INSTALLATION

If the fireplace is already installed, the burner and burner pan must be removed to access the blower mounting plate.

Packing List:

- Blower
- Wiring Harness
- Rheostat (with knob, star washer, and nut)
- Snap Disk
- (2) 10-24 Center-Lock Nuts

Installation

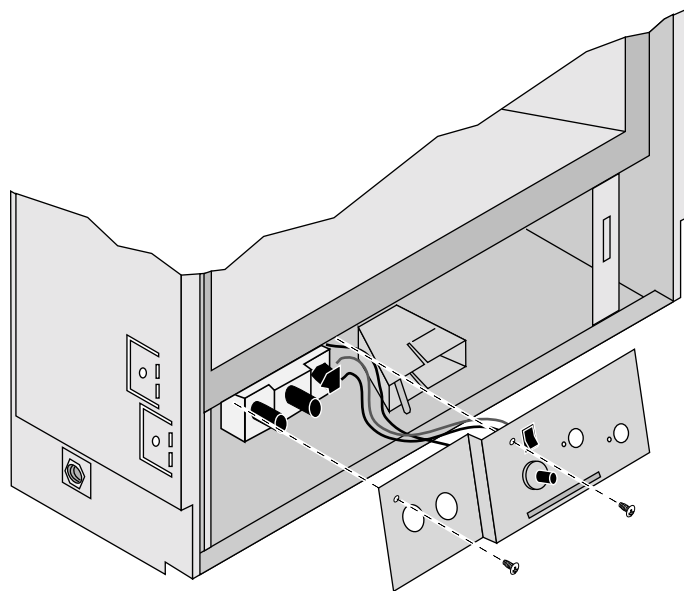


Make sure power to the fireplace has been turned off prior to installation (disable the service breaker).



Do not connect 110-120 VAC to the gas control valve or wiring system of this fireplace.

1. Remove the two screws holding the control cover in place.

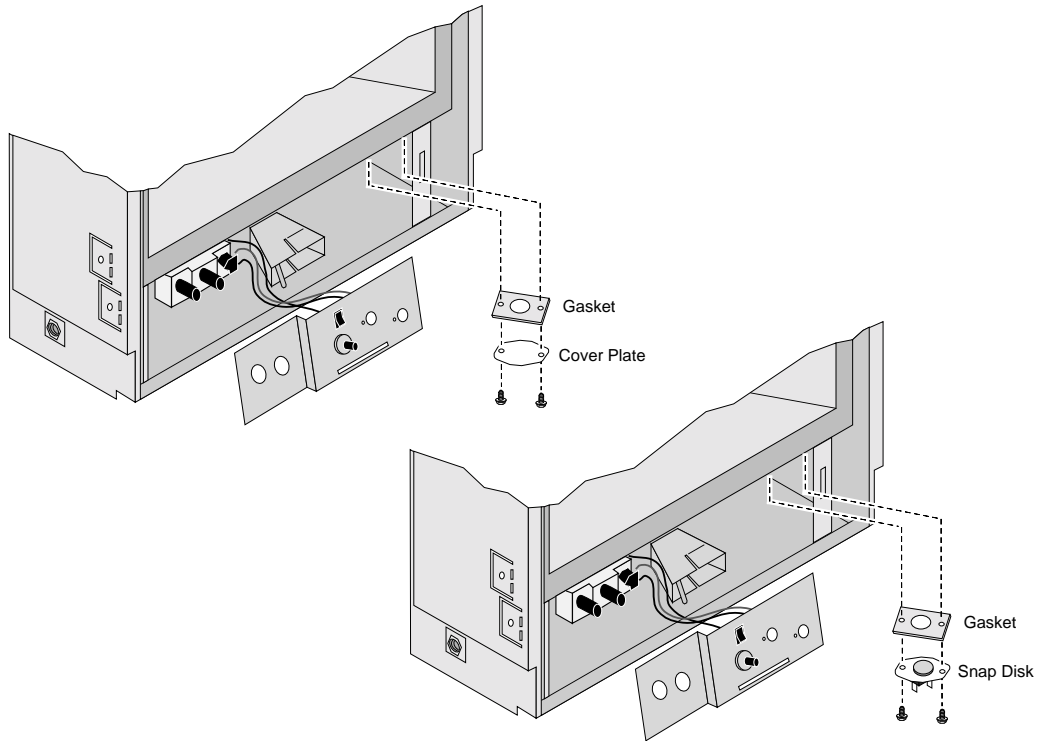




21 TRV Blower Installation Instructions

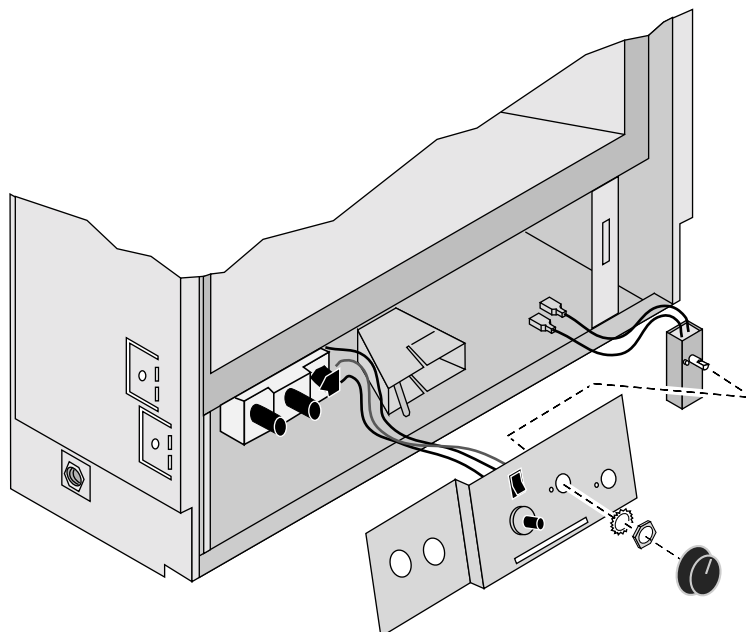
99000160

- Remove the cover plate and gasket (the cover plate may be discarded). Attach the snap disk and gasket in the same location with the same screws.



- Attach the rheostat to the cover plate as shown below. Make sure the small white tab on the rheostat inserts through the corresponding small hole on the cover plate.

NOTE: If using the Omega remote, the rheostat is not required (blower speed is controlled by the remote).





21 TRV Blower Installation Instructions

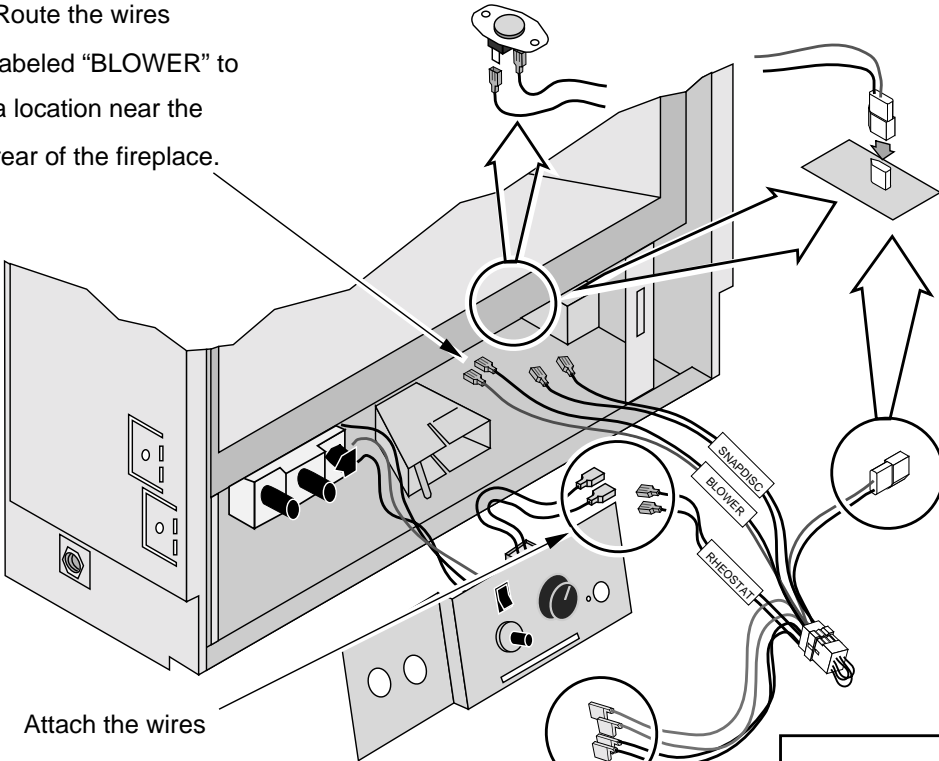
99000160

4. Attach the wiring harness following the directions below.

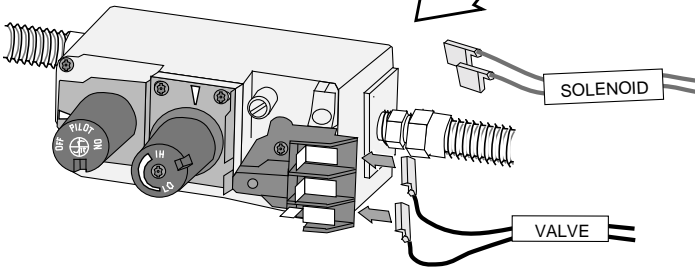
Attach the wires
labeled "SNAPDISC"
to the snap disk.

Route the wires
labeled "BLOWER"
to a location near the
rear of the fireplace.

Plug the molex connector
into the molex connector on
the junction box *.



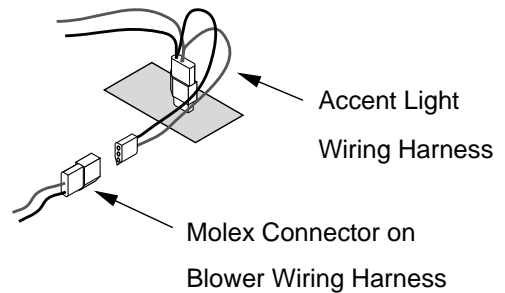
Attach the wires
labeled "RHEOSTAT"
to the rheostat.



Attach the brown and red wires to the back of the gas control valve on the top and bottom terminals (wire color orientation does not matter). The blue solenoid wires are for the optional modulating remote (do not connect at this time).

*** SPECIAL NOTE FOR INSTALLATIONS
USING THE ACCENT LIGHT**

When using the accent light, plug the molex connector on the blower wiring harness into the molex connector on the accent light wiring harness.

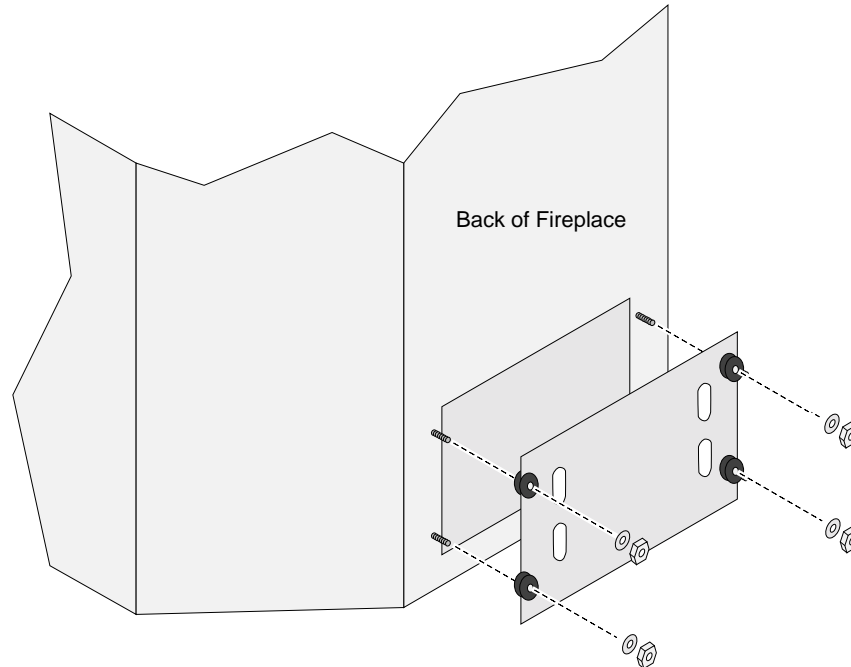




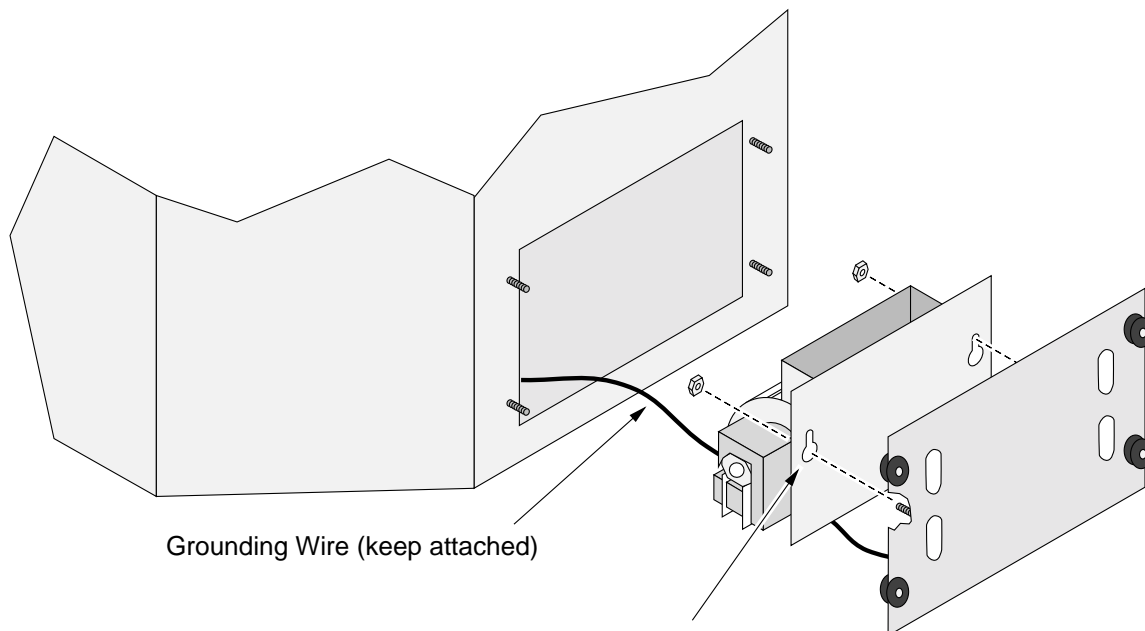
21 TRV Blower Installation Instructions

99000160

5. Remove the blower mounting plate on the back of the fireplace (NOTE: If the fireplace is installed and this plate is not accessible, you will need to remove the burner and burner tray to access this area).



6. Attach the blower assembly to the blower mounting plate using the two nuts included with the blower kit.



NOTE: These keyhole slots allow you to first attach the nuts to the studs on the mounting plate, then slide the blower in place and tighten.



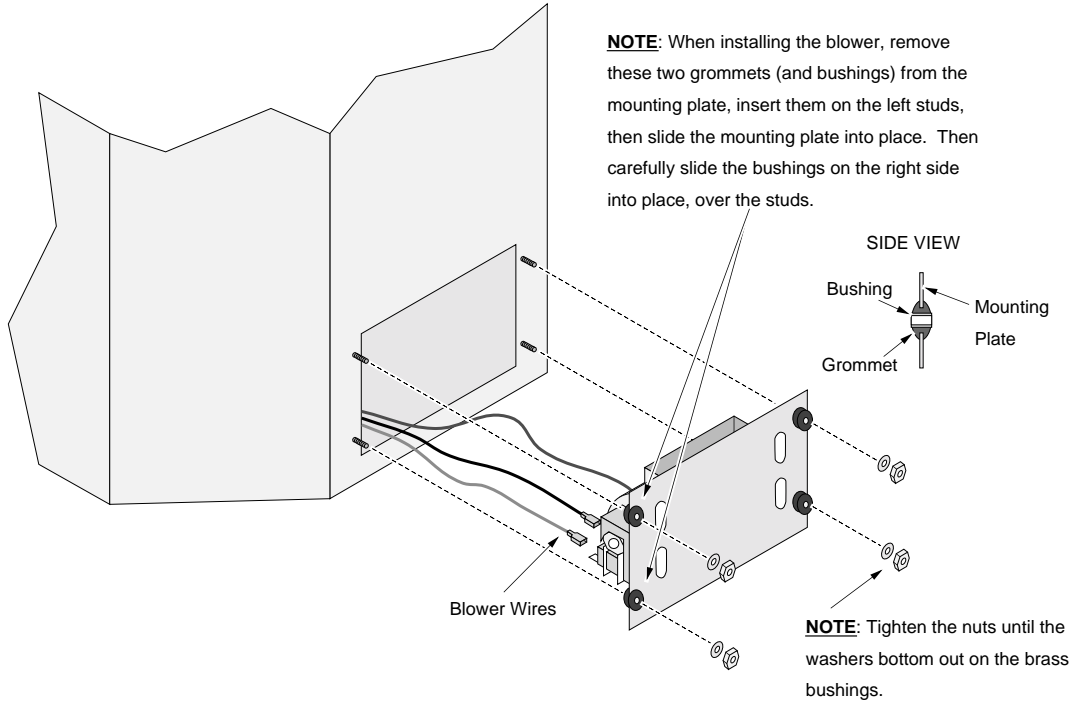
21 TRV Blower Installation Instructions

99000160

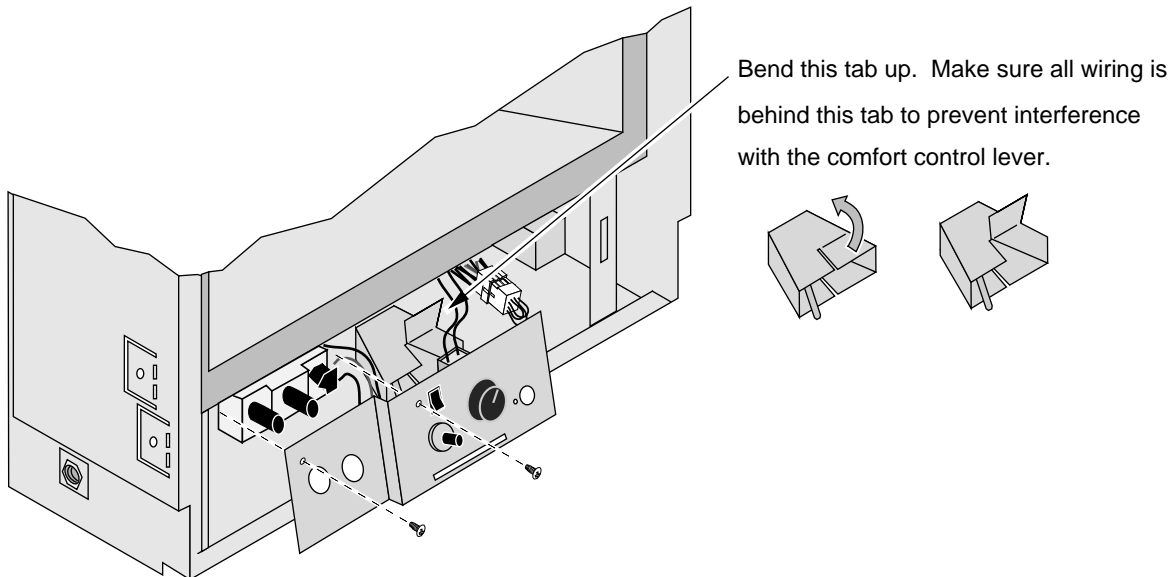
7. Attach the blower wires to the blower and re-attach the mounting plate to secure the blower.

NOTE: Make sure wiring does not become pinched or come in contact with the blower impellers or any hot surfaces. Use lock-ties if necessary.

NOTE: Make sure the blower does not contact the pilot connections (piezo wire, pilot tube, etc.). If the blower does not install smoothly, you may need to carefully re-position these connections.



8. Bend the tab on the lever-cover up and re-attach the cover plate.



NOTE: We recommend that you verify blower works correctly. This can be done by using a jumper wire on the snap disk wires (make sure the circuit is disconnected when connecting the jumper).